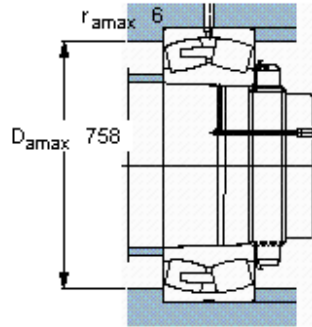
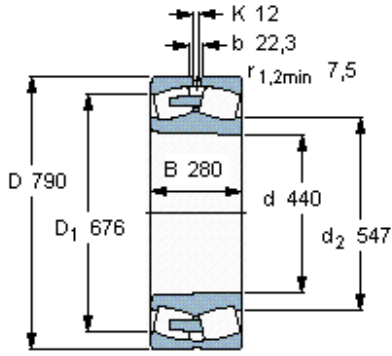


Spherical roller bearings, cylindrical and tapered bore

Principal dimensions			Basic load ratings		Speed ratings	Limiting speed	Designation
d	D	B	dynamic C	static C0	Reference speed		* SKF Explorer bearing
mm			kN		r/min		-
<b>440</b>	790	280	8150	12500	430	600	23288 CAK/W33 *



Tapered bore, taper  
1: 12

**Calculation factors**

- e 0,35
- $Y_1$  1,9
- $Y_2$  2,9
- $Y_0$  1,8